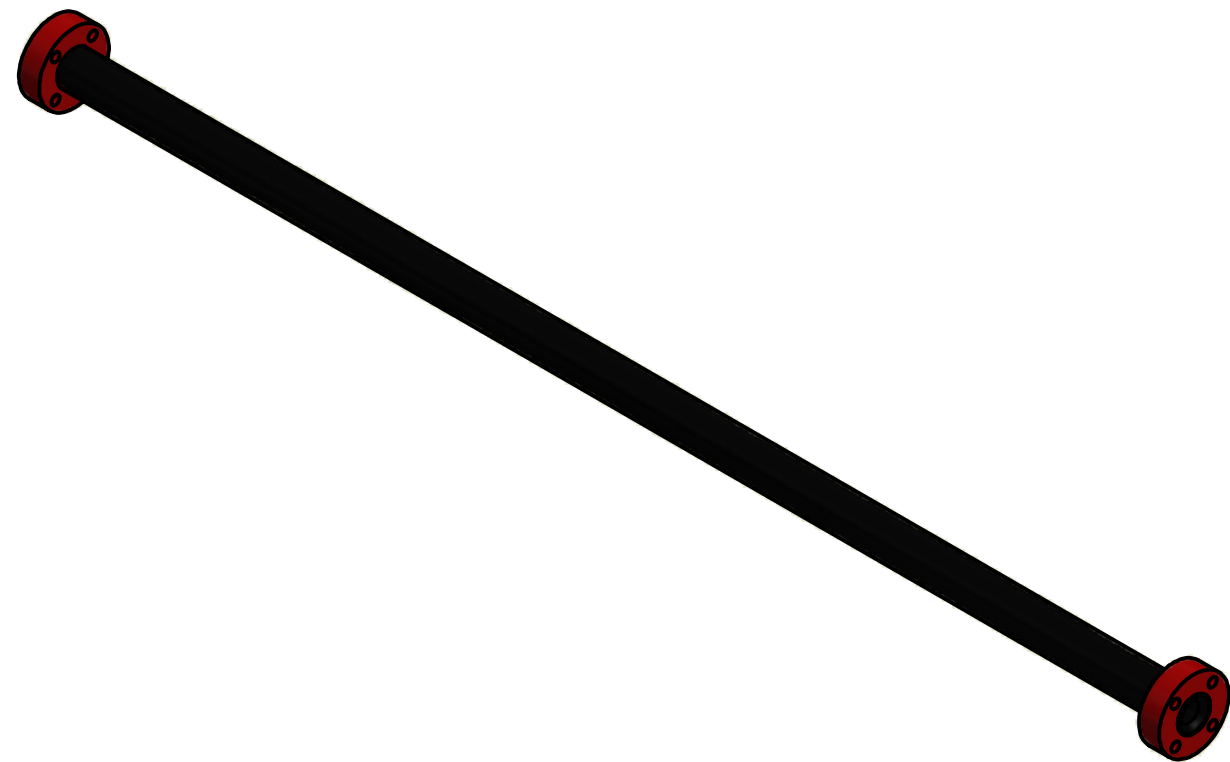
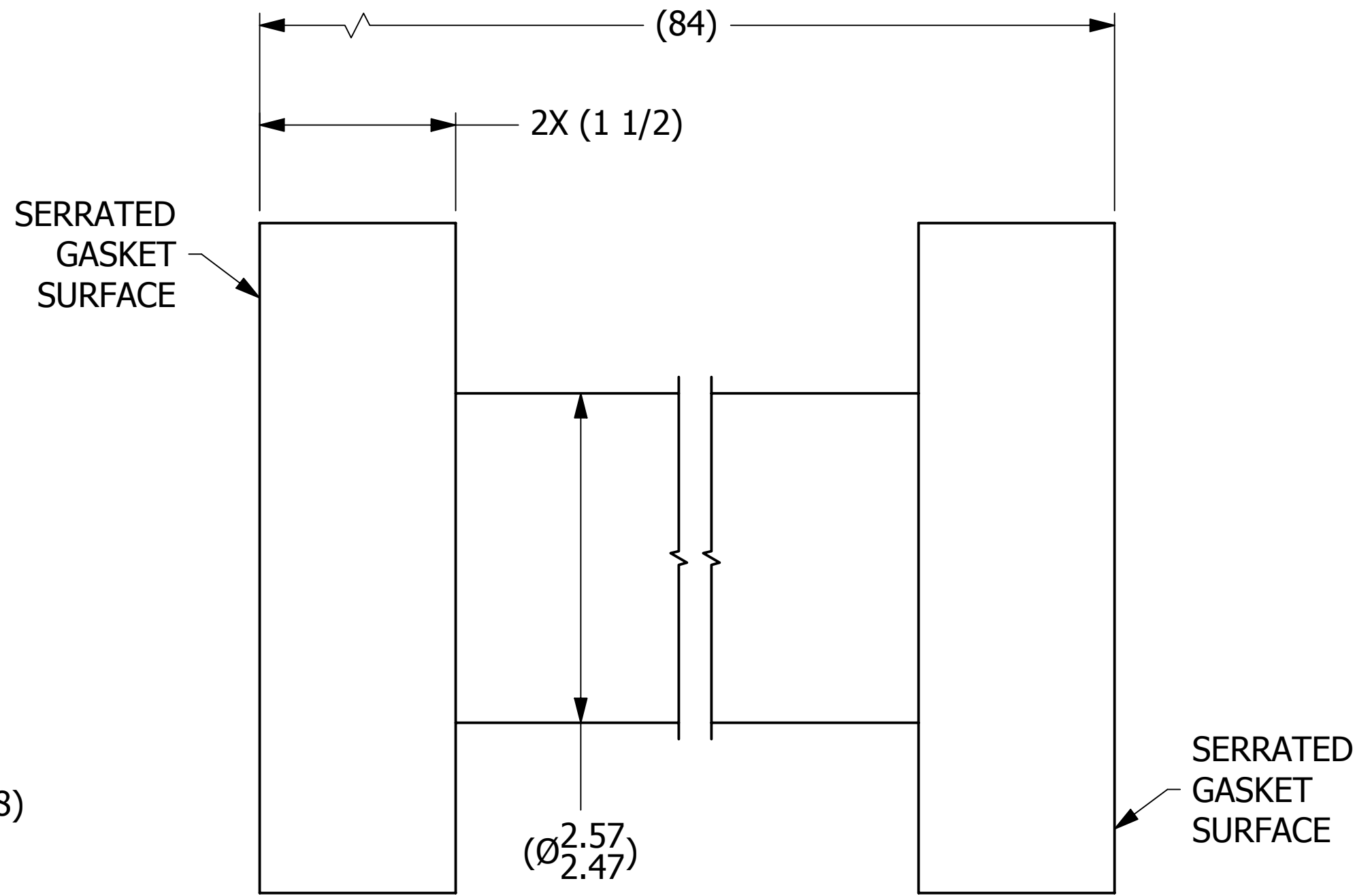
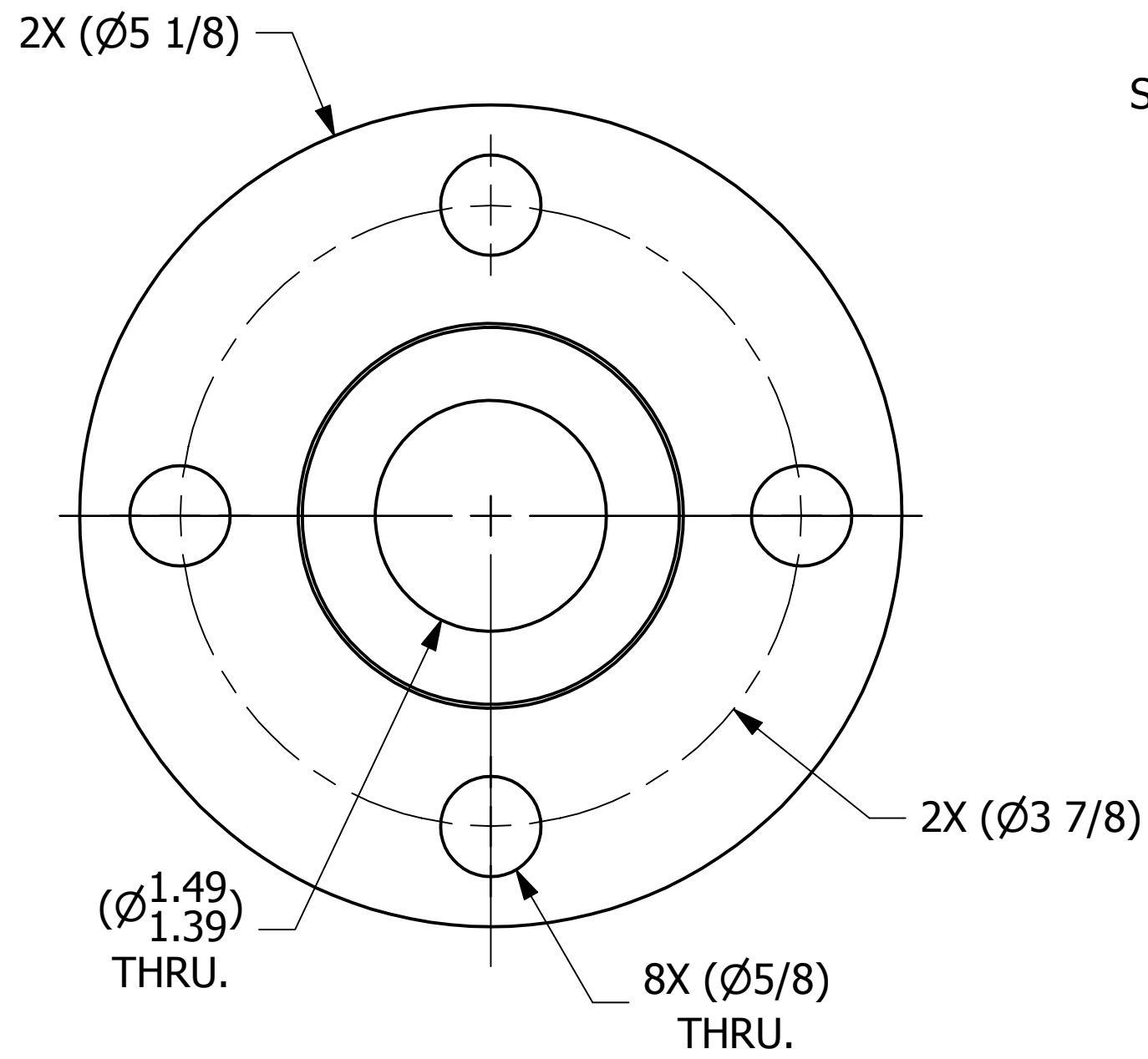


SALES DRAWING SALES DRAWING

SALES DRAWING SALES DRAWING



ISOMETRIC VIEW

THIS PRINT, PROPERTY OF SALCO PRODUCTS INC., CONTAINS PROPRIETARY INFORMATION AND MUST NOT BE COPIED, REPRODUCED, OR USED DETRIMENTALLY TO OUR INTEREST.

UNLESS OTHERWISE SPECIFIED DIMENSIONAL TOLERANCES FRACTIONAL: ±1/16 X.XX: ±.03 X.XXX: ±.015 ANGLE: ±1° DEBURR ALL SHARP EDGES. ALL MACHINED SURFACES TO HAVE A 125 RMS FINISH UNLESS NOTED OTHERWISE.	DRAWN BY:	TAK
	CHECKED BY:	EJF
	PROTOTYPE BY:	TAK
	PROTOTYPE DATE:	2/8/2017
	APPROVED FOR PRODUCTION BY:	TAK
THIRD ANGLE PROJECTION	PRODUCTION DATE:	2/8/2017

A	TAK	2-8-17	RELEASED FOR PRODUCTION
REV	BY	DATE	DESCRIPTION
PART NAME: PIPE SPOOL 1 1/2"			
MATERIAL: SALCO PE			
PROJECT #: H170207F		SHEET #: 1 OF 1	SCALE: 1:1
DRAWING #: C45010		PART #: HSSP15FP02	